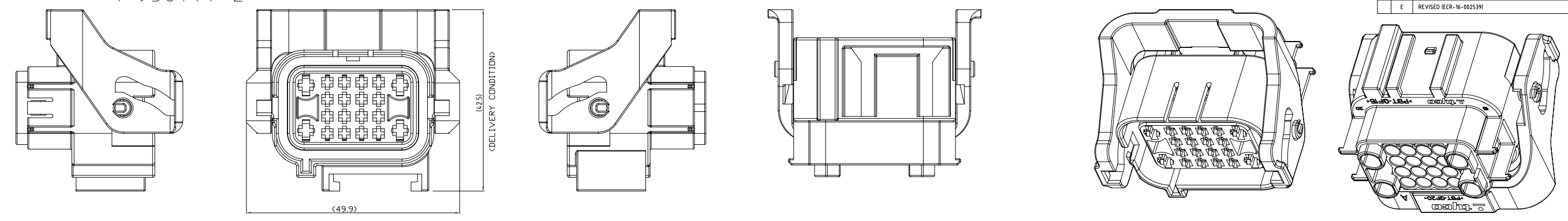
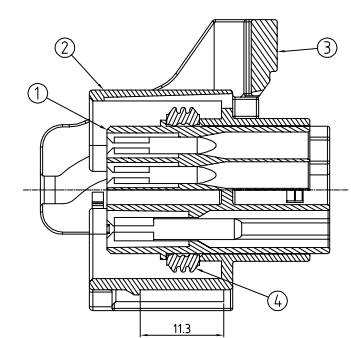


TYPE B (DELPHI CLIP MOUNTING TYPE) 1-936777-2

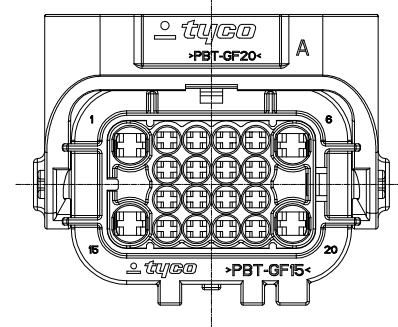
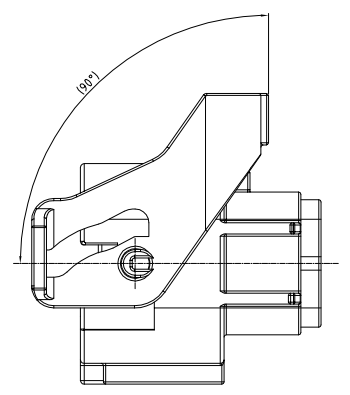
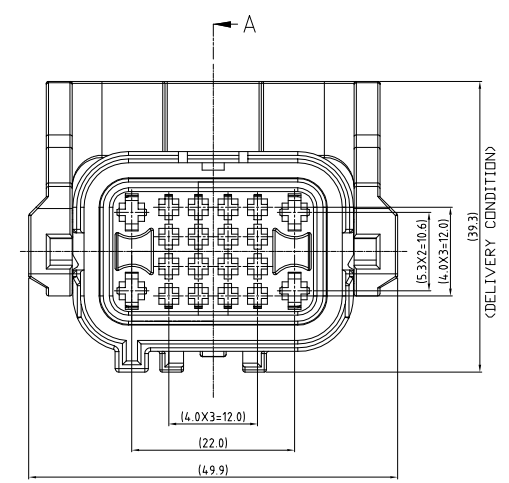
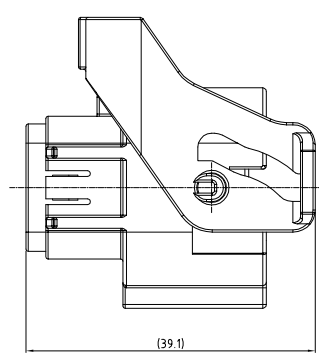
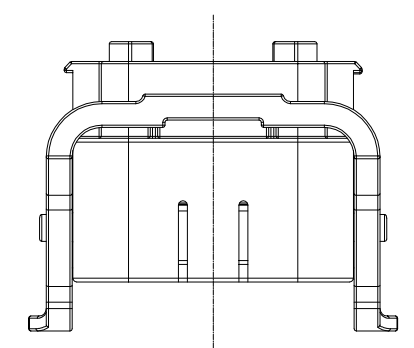
REVISIONS					
P	LTR	DESCRIPTION	DATE	DWN	APVD
B		REVISED IECR-07-017127	23 JUL '07	KT	JK
C		REVISED IECR-08-010020	12 JUN '08	KT	HG
D		REVISED IECR-10-007521	29 JUN '10	KT	HG
E		REVISED IECR-16-002539	19 FEB '16	JM	JW



3D-VIEW

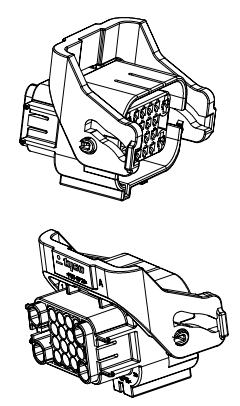


SECTION A-A

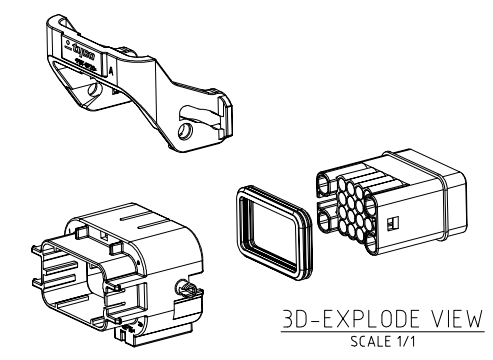
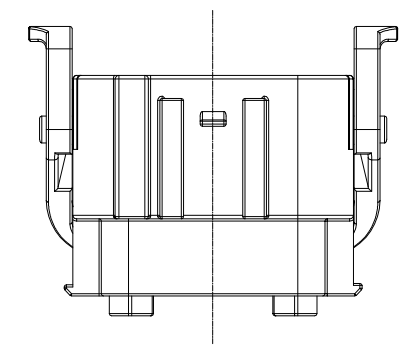


<TABLE 1>

TYPE	Part NO.	WIRE SIZE(mm ²)	FINISH
MT II	0-962875-1	0.25-0.5	CuSn4
	0-962875-3		CuSn4(GOLD)
	0-962876-1	0.5-1.0	CuSn4
	0-962876-3		CuSn4(GOLD)
JPT	0-927770-3	0.5-0.85	CuSn4
	2-927770-1		CuSn4(GOLD)
	0-927766-3	1.25-2.0	CuSn4
	2-927766-1		CuSn4(GOLD)



3D-VIEW
SCALE 1/1



3D-EXPLODE VIEW
SCALE 1/1

- NOTES:
 1. GENERAL TOLERANCE IS DECIMALS ±0.3, ANGLES ±3°
 2. CONDITION OF DELIVERY
 3. APPLIED CAP ASS'Y P/N: X-936780-X
 4. APPLIED WIRE COVER P/N: X-936782-X
 5. APPLIED RECEPTACLE CONTACT P/N: TABLE 1

NO.	COLOR	MATERIAL	DESCRIPTION	QTY
④	-	SILICONE	INNER SEAL	1 1
③	GRAY(RAL 7004)	PBT-GF20	LEVER HSG	1 1
②	BLACK(RAL 9011)	PBT-GF15	MAIN BODY PLUG HSG (TYPE B)	1
②	BLACK(RAL 9011)	PBT-GF15	MAIN BODY PLUG HSG	1
①	BLACK(RAL 9011)	PBT-GF15	FRONT PLUG HSG	1 1

DIMENSIONS: MM 		TOLERANCES UNLESS OTHERWISE SPECIFIED: 0 PLC ± 1 PLC ± 2 PLC ± 3 PLC ± 4-6 PLC ± ANGLES ±		DWN: JM ROM CHK: JM ROM APVD: JM JMG PRODUCT SPEC: - APPLICATION SPEC: - WEIGHT: -		NAME: PLUG ASS'Y FOR MTII/JPT 20P SIZE: A1 CAGE CODE: 00779 DRAWING NO: 936777 RESTRICTED TO: -	
MATERIAL: SEE TABLE		FINISH: -		CUSTOMER DRAWING SCALE: 2/1 SHEET: 1 OF 1 REV: E		ASS'Y P/N: 1-936777-2 P/N: 0-936777-2 	